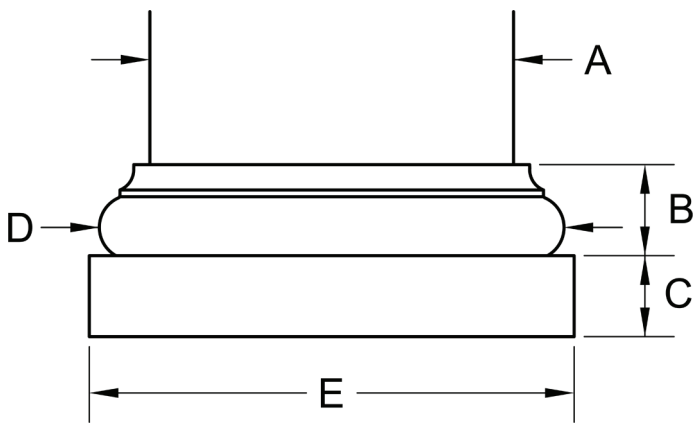
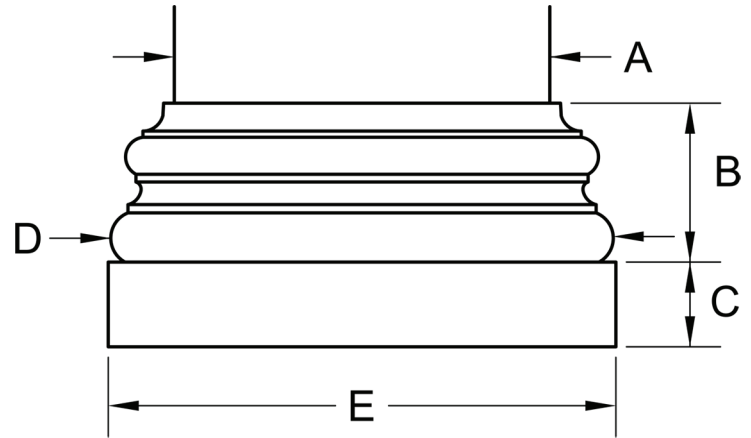


- A. COLUMN NOMINAL DIAMETER
- B. HEIGHT OF ENDCAP
- C. HEIGHT OF PLINTH
- D. ENDCAP OUTER DIAMETER
- E. SQUARE PLINTH SIZE (E x E)



TRADITIONAL ENDCAP

A (Column Dia.)	B	C	D	E
6"	1 3/4	1 1/4	8 3/8	9 1/2
7"	2	1 1/4	9 3/8	9 1/2
8"	2 1/4	2	10 7/8	11
9"	2 1/4	2	11 7/8	12
10"	2 1/2	2	12 7/8	13
11"	2 1/2	2 1/4	13 7/8	14
12"	2 1/2	2 1/2	15 1/8	15 1/4
13"	2 3/4	2 1/2	16 1/8	16 1/4

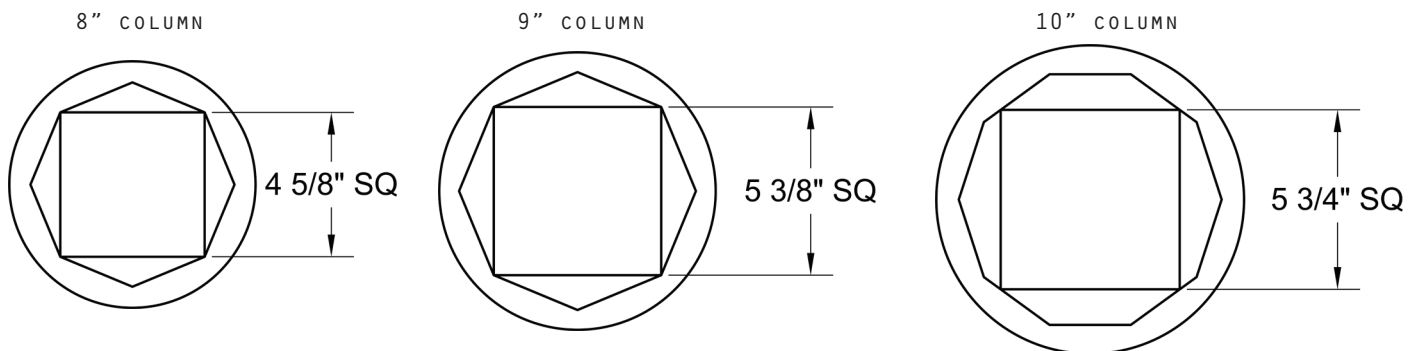


ATTIC ENDCAP

A (Column Dia.)	B	C	D	E
6"	3	1 1/4	8 3/8	8 1/2
7"	3	1 1/4	9 3/8	9 1/2
8"	3 1/2	2	10 7/8	11
9"	3 3/4	2	11 7/8	12
10"	3 3/4	2	12 7/8	13
11"	3 3/4	2 1/4	13 7/8	14
12"	4	2 1/2	15 1/8	15 1/4
13"	4	2 1/2	16 1/8	16 1/4

ALL DIMENSIONS IN INCHES (")

Installing columns over structural posts: *ORDER COLUMNS TO BE SPLIT



Finishing our columns:

IT IS IMPERATIVE TO USE THE RIGHT PRODUCTS TO FINISH OUR MDF COLUMNS. OUR MDF COLUMNS ARE SUPPLIED RAW AND MUST BE PRIMED WITH A SOLVENT BASED PRIMER(OIL OR LAQUER), THEY CAN THEN BE PAINTED WITH YOUR CHOICE OF TOP COAT. WATER BASED PRIMERS ARE NOT RECOMMENDED.